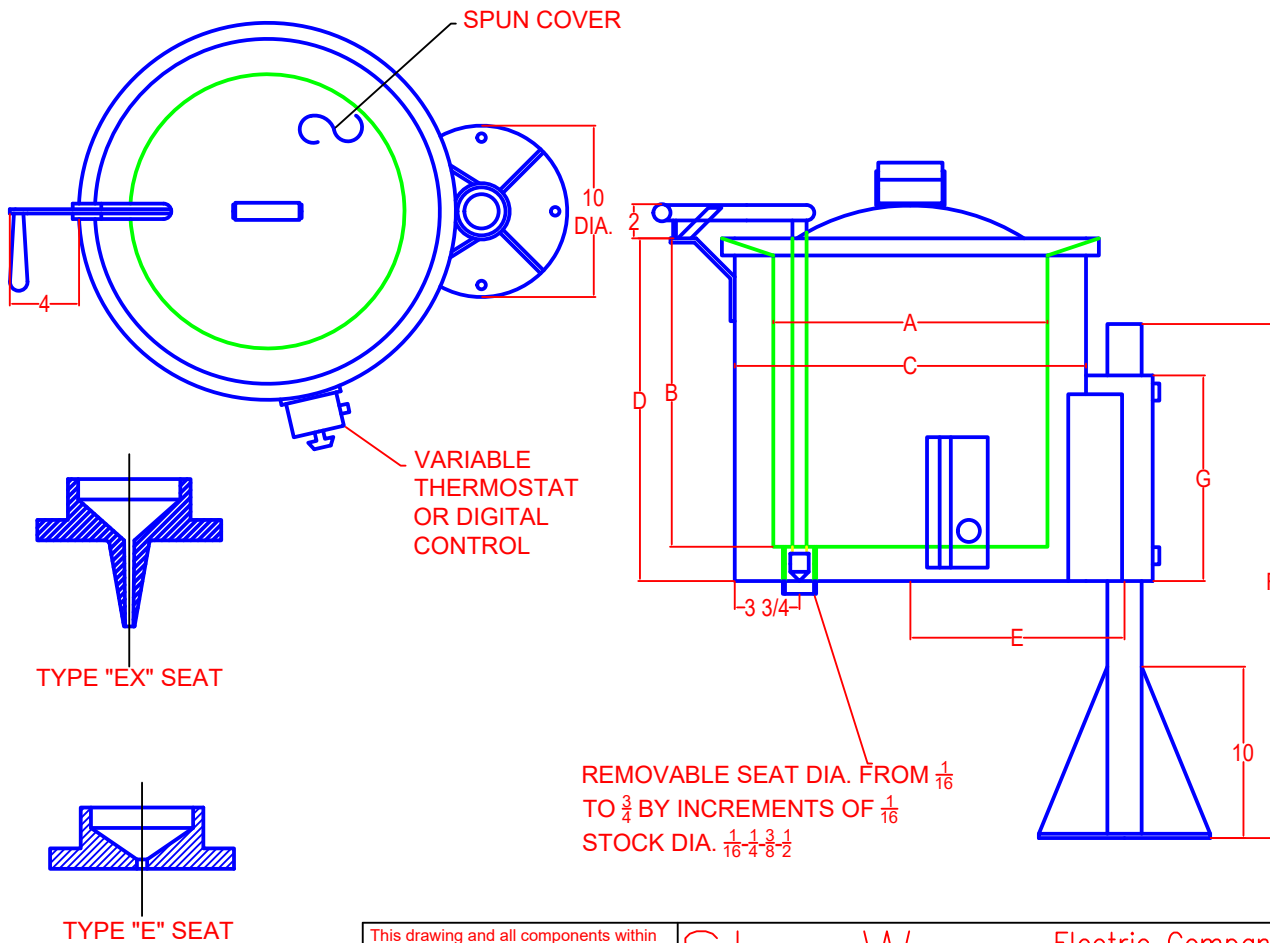


CAT. NO.	CAP.	TANK GUAGE	HSG. GUAGE	A	B	C	D	E	F	G
50 CN	5 gal. 18.93 L	16	16	13 1/2 in. 34.29 cm	8 5/8 in. 21.91 cm	18 in. 45.72 cm	10 5/8 in. 26.99 cm	10 1/4 in. 26.03 cm	30 in. 76.20 cm	7 in. 17.78 cm
51 CN	10 gal. 37.85 L	16	16	13 1/2 in. 34.29 cm	16 3/4 in. 42.55 cm	18 in. 45.72 cm	18 3/4 in. 47.63 cm	10 1/4 in. 26.03 cm	30 in. 76.20 cm	12 in. 30.48 cm
52 CN	15 gal. 56.78 L	16	16	16 in. 40.64 cm	18 in. 45.72 cm	20 1/2 in. 52.07 cm	20 in. 50.80 cm	11 1/2 in. 29.21 cm	30 in. 76.20 cm	12 in. 30.48 cm
53 CN	25 gal. 94.64 L	16	14	18 1/2 in. 46.99 cm	22 in. 55.88 cm	23 in. 58.88 cm	24 in. 60.96 cm	13 1/4 in. 33.66 cm	34 in. 86.36 cm	18 in. 45.72 cm



This drawing and all components within are the sole property of Sta-Warm Electric Company. No reproductions or copies of any kind are permissible without written consent from Sta-Warm Electric Company

Sta-Warm Electric Company  
Ravenna, Ohio 44266

### CN TANKS

SIZE	DATE	DWG NO.	REV
A	7/29/16	24A1064-2	1
Order No.	SCALE	DRAWN BY:	SHEET
	NONE	T. Borthwick	1 OF 1