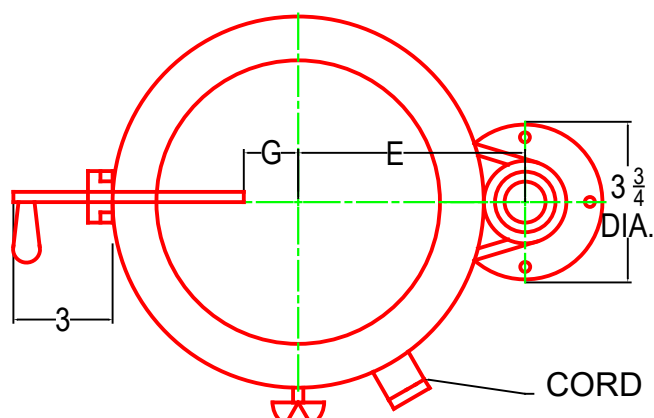
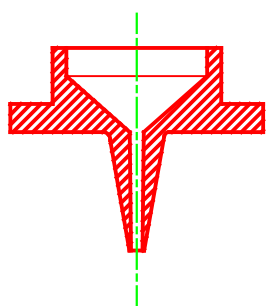


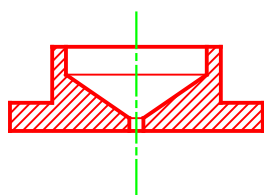
CAT. NO.	CAP.	A	B	C	D	E	F	G	H
2 CN	2 QT.	6 in.	5 1/4 in.	7 5/8 in.	7 1/8 in.	4 3/4 in.	12 in.	1 1/2 in.	1/2 in.
	1.89 L	15.24 cm	13.34 cm	19.37 cm	18.10 cm	12.07 cm	30.48 cm	3.81 cm	1.27 cm
4 CN	4 QT.	7 1/4 in.	6 3/8 in.	9 in.	8 3/8 in.	5 1/2 in.	12 in.	2 1/4 in.	5/8 in.
	3.79 L	18.41 cm	16.19 cm	22.86 cm	21.27 cm	13.97 cm	30.48 cm	5.27 cm	1.59 cm
10 CN	10 QT.	11 in.	7 1/2 in.	13 in.	9 3/8 in.	7 3/8 in.	12 in.	3 3/4 in.	1/2 in.
	9.46 L	27.94 cm	19.05 cm	33.02 cm	23.81 cm	19.73 cm	30.48 cm	9.53 cm	1.27 cm



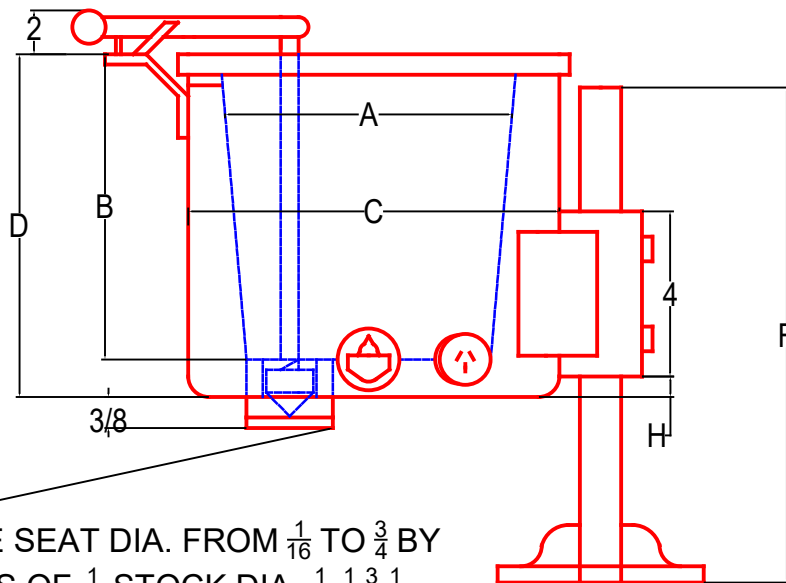
VARIABLE THERMOSTAT



TYPE "EX" SEAT



TYPE "E" SEAT



REMOVABLE SEAT DIA. FROM $\frac{1}{16}$ TO $\frac{3}{4}$ BY INCREMENTS OF $\frac{1}{16}$ STOCK DIA. $\frac{1}{16}$ - $\frac{1}{4}$ - $\frac{3}{8}$ - $\frac{1}{2}$

This drawing and all components within are the sole property of Sta-Warm Electric Company. No reproductions or copies of any kind are permissible without written consent from Sta-Warm Electric Company

Sta-Warm Electric Company
Ravenna, Ohio 44266

CN POTS

SIZE A	DATE 7/29/16	DWG NO. 11A1064-3	REV 1
-----------	-----------------	----------------------	----------

Order No. SCALE NONE DRAWN BY: T. Borthwick SHEET 1 OF 1