



Electrically Heated

PD-10

PLASTISOL POTS

CONTROL

Standard temperature range is 150°-550°F.
Adjustable thermostat.

OUTLETS

Needle and seat valve for smooth precise dispensing.

VOLTAGE

120 volt. Plugs into standard outlet.



4CN - 4 Quart Capacity

HEATING ELEMENT

The famous *STA-WARM* "Even Heat" multiple circuit, blanket type element is uniformly applied to the entire bottom area and up the sidewalls to approximately 75% of the wall height. Even heat is distributed at a low watt density (approximately 5 watts per square inch maximum) eliminating the danger of "hot" spots.

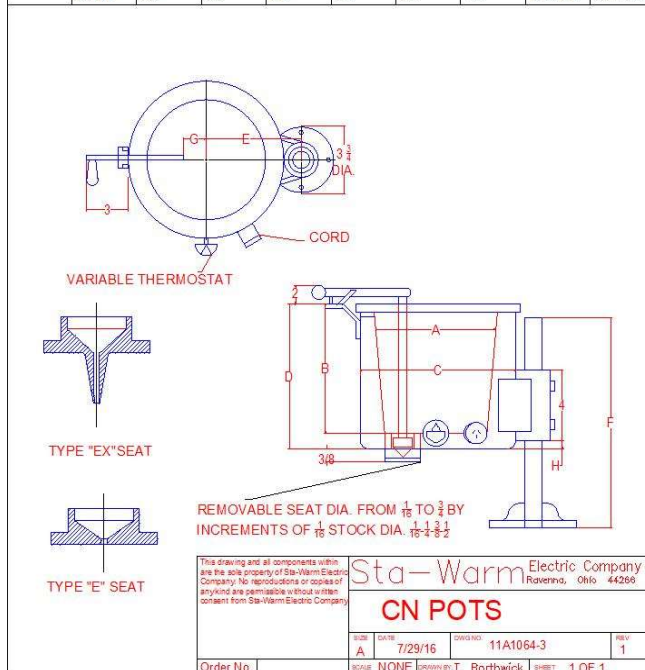
CONSTRUCTION

Pots are made with a cast aluminum inner pot and heavy steel housing. Loose covers are standard equipment. Glass blanket is used as thermal insulation to reduce heat loss. Standard valve sizes are 1/8", 1/4", 3/8", and 1/2" in both the E and EX type seats (see drawing). Other sizes are available on special order. An adjusting screw, with lock nut, limits the travel of the needle and thus aids in controlling the flow. Style and size should be specified.

All sizes are readily adjustable to suitable height above the work by means of set screws located in the heavy boss which slides up and down the pipe column support. (see drawing)

Catalog	Capacity		
Number	Quarts	Watts	Price
2CN	2	600	\$640.00
4CN	4	880	\$750.00
10CN	10	1540	\$950.00

CAT. NO.	CAP.	A	B	C	D	E	F	G	H
2 CN	2 QT.	6 in.	5 1/4 in.	7 5/8 in.	7 1/8 in.	4 3/4 in.	12 in.	1 1/2 in.	1/2 in.
	1.89 L	15.24 cm	13.34 cm	19.37 cm	18.10 cm	12.07 cm	30.48 cm	3.81 cm	1.27 cm
4 CN	4 QT.	7 1/4 in.	6 3/8 in.	9 in.	8 3/8 in.	5 1/2 in.	12 in.	2 1/4 in.	5/8 in.
	3.79 L	18.41 cm	16.19 cm	22.86 cm	21.27 cm	13.97 cm	30.48 cm	5.27 cm	1.59 cm
10 CN	10 QT.	11 in.	7 1/2 in.	13 in.	9 3/8 in.	7 3/8 in.	12 in.	3 3/4 in.	1/2 in.
	9.46 L	27.94 cm	19.05 cm	33.02 cm	23.81 cm	19.73 cm	30.48 cm	9.53 cm	1.27 cm



Sta-Warm Electric Company
553 N. Chestnut St. Ravenna, OH 44266
Phone 330-296-6461 Fax 330-296-9243
E-mail info@sta-warm.com

www.Sta-Warm.com