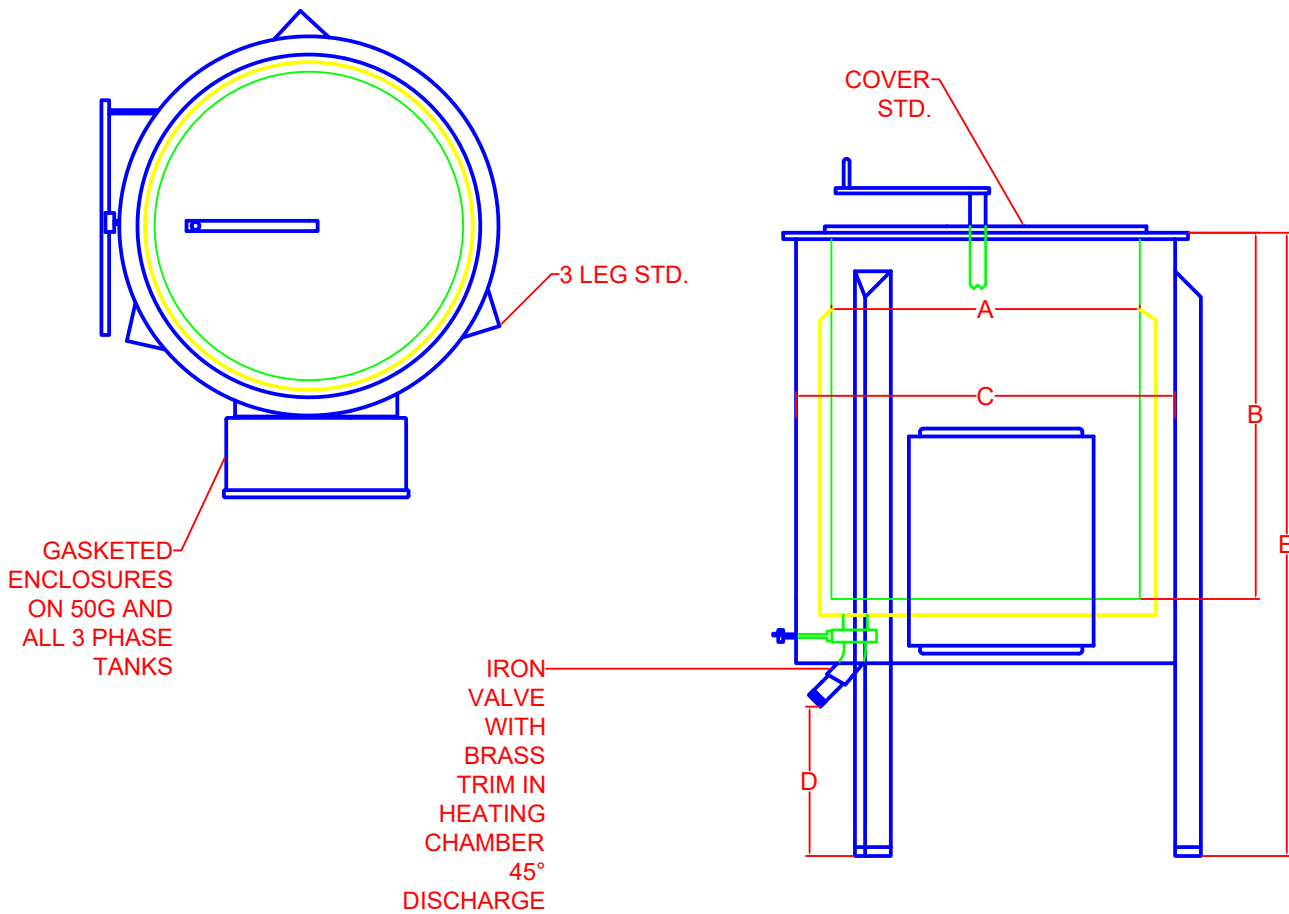


CAT. NO.	CAPACITY		LEGS	A	B	C	D	E	VALVE	COVER
	NOMINAL	FULL								
10G	10 gal.	10.4 gal.	2 X 2 X 1/4	13 1/2 in	16 3/4 in	18 in	10 in	35 3/4 in	1 in	SPUN
	37.85 L	39.36 L	5.08 X 5.08 X .64 cm	34.29 cm	42.54 cm	45.72 cm	25.4 cm	90.80 cm	2.54 cm	
15G	15 gal.	15.7 gal.	2 X 2 X 1/4	16 in	18 in	20 1/2 in	9 in	37 in	1 1/2 in	SPUN
	56.78 L	59.43 L	5.08 X 5.08 X .64 cm	40.64 cm	45.72 cm	52.07 cm	22.86 cm	93.98 cm	3.81 cm	
25G	25 gal.	25.6 gal.	2 X 2 X 1/4	18 1/2 in	22 in	23 in	9 in	41 in	1 1/2 in	SPUN
	94.63 L	96.90 L	5.08 X 5.08 X .64 cm	46.99 cm	55.88 cm	58.42 cm	22.86 cm	104.14 cm	3.81 cm	
50G	50 gal.	54.8 gal.	3 X 3 X 1/4 in	24 in	28 in	29 11/16 in	8 in	47 in	2 in	FAB.
	189.27 L	207.44 L	7.62 X 7.62 X .64 cm	60.96 cm	71.12 cm	75.40 cm	20.32 cm	119.38 cm	5.08 cm	



This drawing and all components within are the sole property of Sta-Warm Electric Company. No reproductions or copies of any kind are permissible without written consent from Sta-Warm Electric Company.

Sta-Warm Electric Company  
Ravenna, Ohio 44266

## WAX MELTER WITH HAND AGITATOR

SIZE	DATE	DWG NO.	REV
A	7/26/16	22A1064-37	1
Order No.	SCALE NONE	DRAWN BY: T. Borthwick	SHEET 1 OF 1