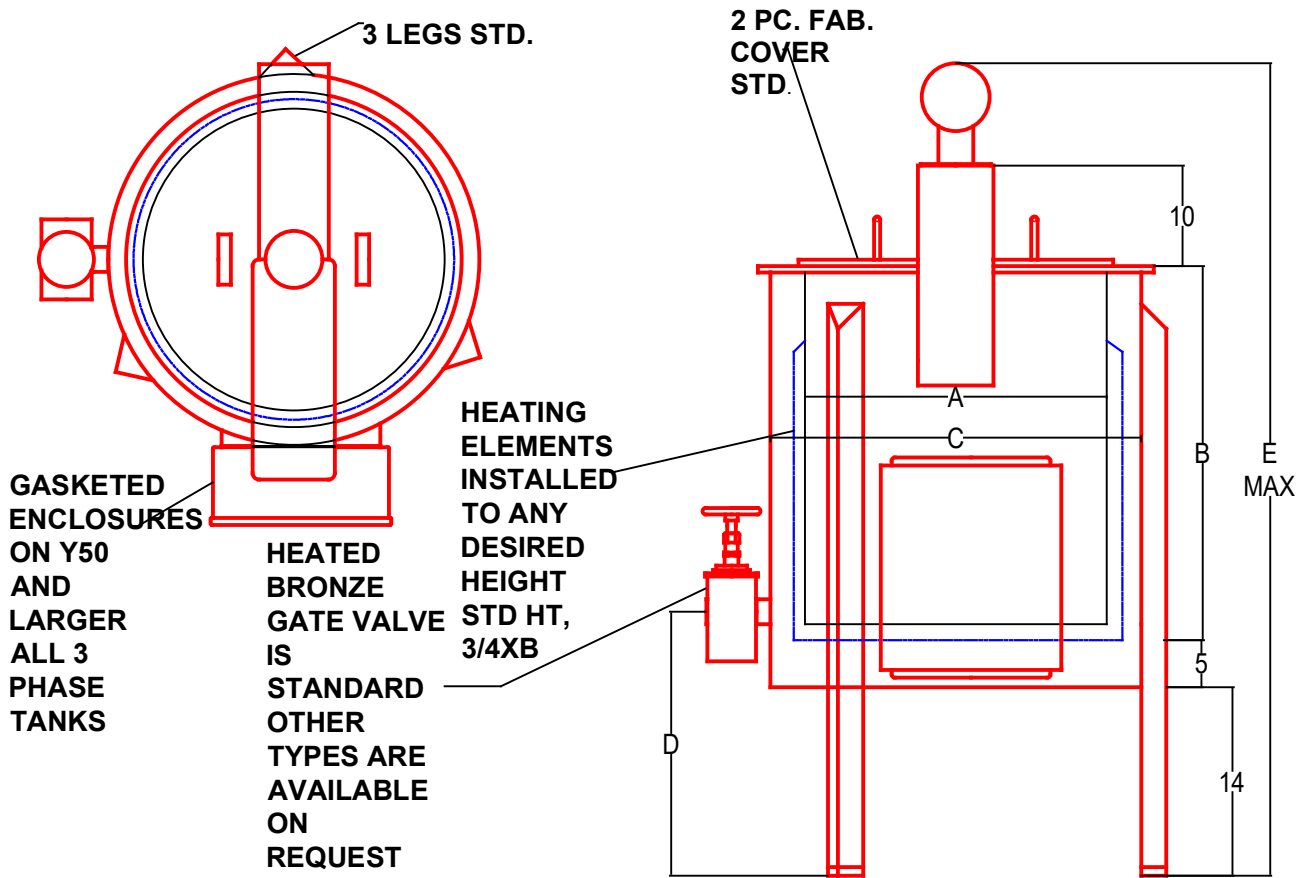


| CAT. NO. | CAPACITY | | | | | | | | | |
|----------|----------|----------|------------|-----------|-----------|-----------|-----------|----------|----------|-------|
| | RATED | FULL | LEGS | A | B | C | D | E | VALVE | COVER |
| 50W | 5 gal | 5.3 gal | 2x2x1/4 in | 13 1/2 in | 8 1/2 in | 18 in | 19 1/2 in | 46 in | 1 in | SPUN |
| | 19 l | 20 l | 5x5x.64 cm | 34.3 cm | 21.6 cm | 45.7 cm | 49.5 cm | 116.8 cm | 2.5 cm | |
| 51W | 10 gal | 10.4 gal | 2x2x1/4 in | 13 1/2 in | 16 3/4 in | 18 in | 19 1/2 in | 54 in | 1 in | SPUN |
| | 37 l | 39 l | 5x5x.64 cm | 34.3 cm | 42.5 cm | 45.7 cm | 49.5 cm | 137.2 cm | 2.5 cm | |
| 52W | 15 gal | 15.7 gal | 2x2x1/4 in | 16 in | 18 in | 20 1/2 in | 19 3/4 in | 55 in | 1 1/2 in | SPUN |
| | 56 l | 59 l | 5x5x.64 cm | 40.6 cm | 45.7 cm | 52 cm | 50.2 cm | 139.7 cm | 3.8 cm | |
| 53W | 25 gal | 25.6 gal | 2x2x1/4 in | 18 1/2 in | 22 in | 23 in | 19 3/4 in | 59 in | 1 1/2 in | SPUN |
| | 94 l | 96 l | 5x5x.64 cm | 47 cm | 55.8 cm | 58.4 cm | 50.2 cm | 149.9 cm | 3.8 cm | |
| Y50 | 50 gal | 54.8 gal | 3x3x1/4 in | 24 in | 28 in | 29 1/2 in | 20 in | 65 in | 2 in | FAB. |
| | 189 l | 207 l | 7x7x.64cm | 61 cm | 71.1 cm | 75 cm | 50.8 cm | 165.1 cm | 5 cm | |
| Y75 | 75gal | 82 gal | 3x3x1/4 in | 24 in | 42 in | 29 1/2 in | 20 in | 79 in | 2 in | FAB. |
| | 283 l | 310 l | 7x7x.64cm | 61 cm | 106.7cm | 75 cm | 50.8 cm | 200.7 cm | 5 cm | |
| Y100 | 100 gal | 110 gal | 3x3x1/4 in | 30 in | 36 in | 35 1/2 in | 20 in | 73 in | 2 in | FAB. |
| | 378 l | 416 l | 7x7x.64cm | 76.2 cm | 91.4 cm | 90.1 cm | 50.8 cm | 185.4 cm | 5 cm | |
| Y150 | 150 gal | 158 gal | 3x3x1/4 in | 36 in | 36 in | 42 in | 20 in | 75 in | 2 in | FAB. |
| | 567 l | 598 l | 7x7x.64cm | 91.4 cm | 91.4 cm | 106.7 cm | 50.8 cm | 190.5 cm | 5 cm | |



This drawing and all components within are the sole property of Sta-Warm Electric Company. No reproductions or copies of any kind are permissible without written consent from Sta-Warm Electric Company

Sta-Warm Electric Company
Ravenna, Ohio 44266

COMPOUND MELTERS W/ AGITATION

| | | | |
|------|---------|-------------|-----|
| SIZE | DATE | DWG NO. | REV |
| A | 6/28/16 | 38A1064-15A | 1 |

Order No. SCALE NONE DRAWN BY: T. Borthwick SHEET 1 OF 1