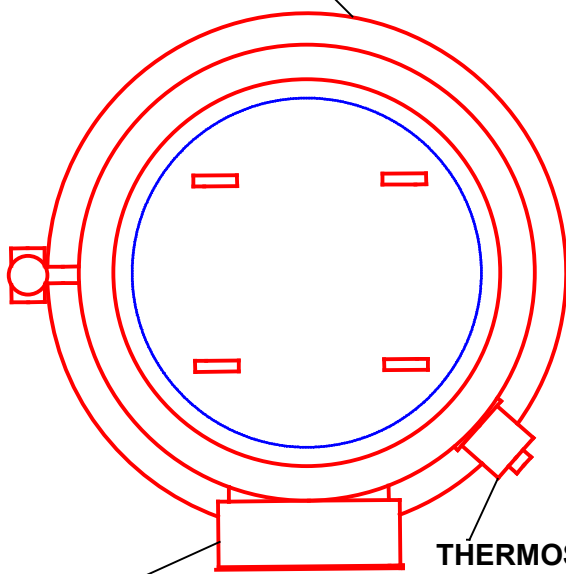


CAT NO.	CAPACITY		A	B	C	VALVE
	RATED	FULL				
Y200	200 gal.	211 gal.	36 in.	48.25 in	42 in.	2 in.
	757.08 L	798.72 L	91.44 cm	122.55 cm	106.68 cm	5.08 cm
Y250	250 gal.	271 gal.	40 in.	50 in.	46 in.	2 in.
	946.35 L	1025.85 L	101.60 cm	127.00 cm	116.84 cm	5.08 cm
Y300	300 gal.	304 gal.	40 in.	56 in.	46 in.	2 in.
	1135.62 L	1150.77 L	101.60 cm	142.24 cm	116.84 cm	5.08 cm
Y350	350 gal.	368 gal.	44 in.	56 in.	50 in	2 in.
	1324.89 L	1393.03 L	111.76 cm	142.24 cm	127.00 cm	5.08 cm
Y400	400 gal.	423 gal.	48 in.	54 in.	54 in.	2 in.
	1514.16 L	1601.23 L	121.92 cm	137.16 cm	137.16 cm	5.08 cm
Y500	500 gal.	530 gal.	51 in.	60 in.	57 in.	2 in.
	1892.71 L	2006.27 L	129.54 cm	152.40 cm	144.28 cm	5.08 cm

ANGLE RING STD.

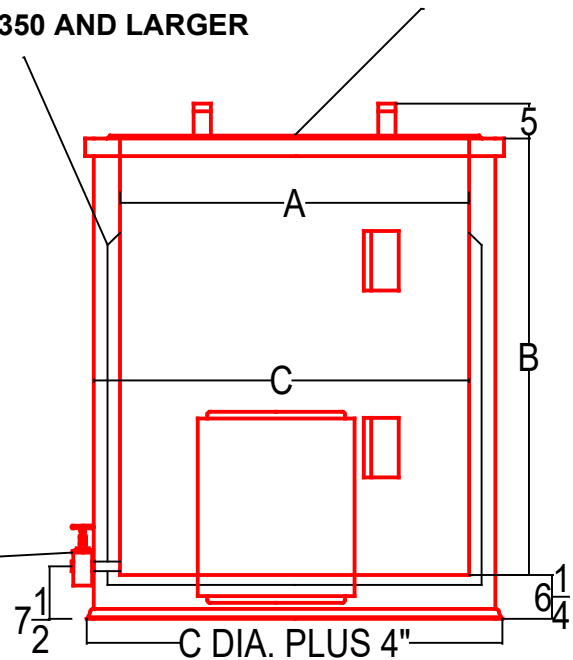


GASKETED ENCLOSURE

2" HEATED BRONZE GATE VALVE IS STANDARD OTHER TYPES ARE AVAILABLE ON REQUEST

HEATING ELEMENT INSTALLED TO ANY DESIRED HEIGHT STD. HEIGHT  $\frac{3}{4}$  X B 2 ZONES OF HEATING ON Y350 AND LARGER

2 PC. FAB COVER STD



This drawing and all components within are the sole property of Sta-Warm Electric Company. No reproductions or copies of any kind are permissible without written consent from Sta-Warm Electric Company

Sta-Warm Electric Company  
Ravenna, Ohio 44266

## COMPOUND MELTER

SIZE	DATE	DWG NO.	REV
A	6/28/16	38A1064-14	1

Order No.

SCALE NONE DRAWN BY: T. Borthwick SHEET 1 OF 1