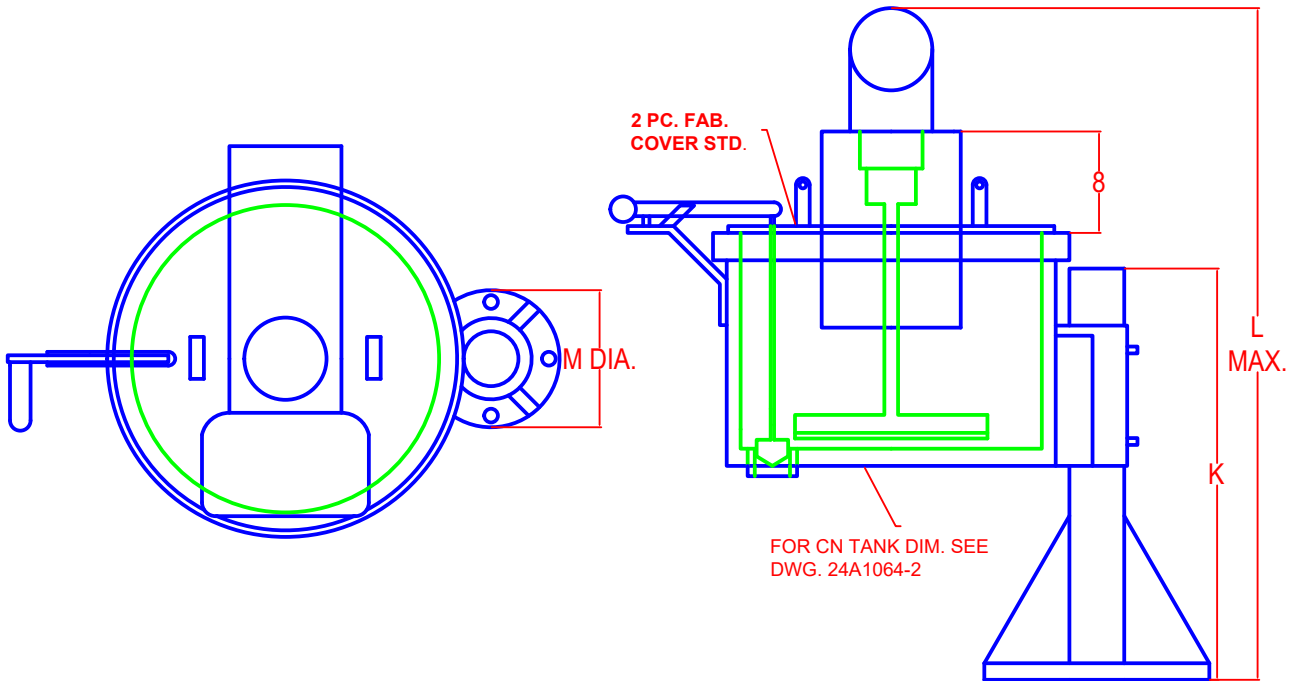


CAT. NO.	K	L	M
50MACN	30 in.	51 in	10 in.
	76.20 cm	129.54 cm	25.40 cm
51MACN	30 in.	55 in.	10 in.
	76.20 cm	139.70 cm	25.40 cm
52MACN	30 in.	56 in.	10 in.
	76.20 cm	142.24 cm	25.40 cm
53MACN	34 in.	58 in.	12 in.
	86.36 cm	147.78 cm	30.48 cm



This drawing and all components within are the sole property of Sta-Warm Electric Company. No reproductions or copies of any kind are permissible without written consent from Sta-Warm Electric Company

Sta-Warm Electric Company
Ravenna, Ohio 44266

CN TANKS WITH MOTOR AGITATOR

SIZE A	DATE 7/27/16	DWG NO. 24A1064-28A	REV 1
Order No.	SCALE NONE	DRAWN BY: T. Borthwick	SHEET 1 OF 1